



# THE PATHFINDER

on the web: <http://www.faithlutheransaultstemarie.com>

Faith Lutheran Church\*

Phone 632-7246

faithlc1966@att.net

\*a congregation of the Evangelical Lutheran Church in America

YEAR OF MATTHEW

Lent/Easter

April

*We give thanks to you, O God; we give thanks; your name is near.  
People tell of your wondrous deeds. (Psalm 75:1)*

Dear Brothers and Sisters in Christ,

Last Sunday during worship I talked about the importance of telling stories. During my preparation for the sermon I read the following quote, "A mature individual is a well storied person." I don't know who said that but whoever it was I think it was quite insightful.

We all have stories to tell; stories of our past experiences, stories of our family life, stories from our school days, stories that are work related, stories of vacations, stories to be told from an endless possibility of sources. Some of these stories will be about happy times, others will be about sad times in our lives; but each story is so important.

When you think of the stories of your life, I hope the story of your faith journey will always be your fondest memory and one that you retell over and over again. As the writer of Psalm 75 proclaims, "People tell of your wondrous deeds, O God." As Christians we need to keep telling the story of God's love and Christ's presence in our lives. We need to keep telling these stories not only for our sake but for the sake of our children and all future generations so they too may know of the wondrous deeds of the Lord.

Blessings and Peace,

Pastor Barry

## Coming in June -

A new church directory. Pictures will be taken June 7<sup>th</sup>, 8<sup>th</sup>, & 9<sup>th</sup>. Before that can happen we need your help. If you would like to assist in scheduling, mailing information, or being present when pictures are taken, please talk to Pastor Barry. An organizational meeting with a representative from the company will be held Tuesday, April 12<sup>th</sup> at 5:30 p.m.



**Office hours for Pastor Barry:**  
The Pastor's office hours are Mon.—Thurs. from 9 a.m. to 4 p.m., with some flexibility for visiting homes and hospitals. Please call the office if you need to schedule an appointment or to be sure of finding him in. Thank you.



## Special Dates

- † Fourth Sunday in Lent, April 3, 2011
- † Fifth Sunday in Lent, April 10, 2011
- † Palm/Passion Sunday, April 17, 2011
- † Holy Week, April 17—23, 2011
- † Maundy/Holy Thursday, April 21, 2011
- † Good Friday, April 22, 2011
- † Holy Saturday, April 23, 2011
- † Easter Sunday, April 24, 2011

## INSIDE

Page 3...*Shut-ins, birthdays, anniversaries*  
Page 5....*Council minutes*

*"In a world of this kind, a crossless Christian is a Christless Christian."*

*- E. Stanley Jones*

**THE PATHFINDER** is the monthly newsletter of the Evangelical Lutheran Church in America community at :

**Faith Lutheran Church, 1600 Park Street, Sault Ste. Marie, Michigan. (906) 632-7246**

The deadline for the Pathfinder is **the 15th** of each month.

Please send articles, comments, news items c/o Pathfinder Editor, 1600 Park St. Sault Ste. Marie, MI 49783 or e-mail to [faithlc1966@att.net](mailto:faithlc1966@att.net)

Pastor: Rev. Barry J. Levine  
 Church Office Administrator/Editor: Pat Deatrck  
 Collating/Mailing Crew Boss: Mary Oja  
 Congregation Council: Louise Armstrong, Nancy Bolio, Jim Carrick, Pat Keller, Bert Kinnear, Joy Lake, Sandy Lawson, John McDonald, Bob Mattson, Steve Sanderson, Bill Skidmore, and Lori Strickland

*Faith Lutheran Church is a member congregation of the Northern Great Lakes Synod of the Evangelical Lutheran Church in America. Synod website: [nglsynod.org](http://nglsynod.org); Denomination website: [elca.org](http://elca.org)*

**Change of Address Form**

Please mail to:

**Pathfinder Editor Faith Lutheran Church  
 1600 Park Street Sault Ste. Marie, MI 49783.**

*You may also email changes to: [faithlc1966@att.net](mailto:faithlc1966@att.net)*

Name: \_\_\_\_\_

New address: \_\_\_\_\_

City: \_\_\_\_\_ State: \_\_\_\_\_

Zip: \_\_\_\_\_ Phone: \_\_\_\_\_

Email: \_\_\_\_\_

**Bible Quiz**

Two places in the Bible, one in the Old Testament and one in the New, feature the following words: "My god, my God, why have you forsaken me?"

The New Testament account is found in Matthew 27:46, when Jesus is hanging on the cross. Where are the words found in the Old Testament?

- A. I Kings 19:4
- B. Jeremiah 38:9
- C. Psalm 22:1
- D. Lamentation 1:20

**"MY GOD,  
 MY GOD,  
 WHY  
 HAVE YOU  
 FORSAKEN  
 ME?"**

Answers: C

**+ Christian Symbols +**

The Bible often uses coins to symbolize human greed. During Holy Week, 30 silver coins—usually shown with a bag or purse—represent Jesus' betrayal by his disciple Judas (Matthew 26:14-16). Many of Jesus' teaching are about money, including the parable of the lost coin. Coins also symbolize giving as an act of worship, just as the widow offered her last "mite" (Mark 12:41-44).



**Easter Lilies**

Easter Lilies will be available again this year. Please sign the sheet on the bulletin board in the Narthex and provide the office with the information you wish to have printed in the bulletin. As the newsletter goes to print, prices are not available, but we expect them to be anywhere between \$5 –10. If you wish to purchase a plant on your own, this is also possible. Lilies will be displayed on Easter Sunday during worship, so they should be at the church by Saturday, April 23. Thank you.



**April**



**BIRTHDAYS**  
THIS MONTH

- 1 Eva Mohr
- 3 Ryan Morley
- 4 Ken Kinnear
- 5 Loretta Hallesy
- 8 Cynthia Anderson  
Ruth Ann Brindley
- 9 Andrew Skidmore  
Crandell Wiertalla
- 14 Brian Marken  
Bill Markstrom
- 15 Casey Sundstrom
- 18 Kristina Benoit
- 19 Shelley Peterman
- 20 Lakeisha Richards
- 21 Margaret Laursen  
Elaine Whitaker
- 24 Linda Sumner
- 25 Steven Markstrom
- 26 Nicholas East



**THIS MONTH'S ANNIVERSARIES**

- Tony & Lorna Bricco 4/20/1985 34 years
- Lori & Corey Strickland 4/24/2004 7 years
- Jim & Corri Darou 4/28/1981 30 years
- Jeff & Kristina Benoit 4/28/2001 10 years

- 27 Aurora Kelly
- Dyllan Uplinger
- 28 Jacilyn Sanderson
- Daniel White
- 30 David Deatrick
- Darren Keller
- John Lawson



**Remember Our Shut-Ins**

<b>Margaret Morris</b> McKinley Manor, #111 E 2023 W. 4th Ave. SSM, MI 49783	<b>Elma Shumbarger</b> McKinley Manor, #119 E 2023 W. 4th Ave. SSM, MI 49783	<b>Elma Marble</b> 347½ W. Spruce St. SSM, MI 632-3452
<b>Lempi Schmit</b> Hearthside Manor SSM, MI 49783 632-2695	<b>Marietta East</b> 1405 Park St. SSM, MI 49783 635-5637	<b>Elaine Whitaker</b> 20001 Mauer St. Clair Shores, MI MI 48080

**Lenten Project**

The Outreach committee has selected five food pantries in Sault Ste. Marie to receive non-perishable food items to keep their shelves supplied. For our Lenten project this year we are asking you to bring a non-perishable food item (preferably canned goods) to Wednesday or Sunday worship services during Lent. These items will be delivered to one of the food pantries each week.

The food pantries are located at the Salvation Army, First Church of Christ, First United Presbyterian Church, St. Joseph's Church, and Living Word Church. Our food voucher program was getting too expensive to maintain and we are now referring those in need to the above mentioned pantries. Please come and worship and support this valuable program by bringing a food item to donate. Thank you in advance for your generosity.

**WELCA Spring Cluster**

The WELCA Spring Cluster meeting will be held at Faith Lutheran Church on Saturday, April 30. Registration will begin at 9:30 a.m. Featured speaker will be Whitney Justin who will give a presentation on her experiences as a Peace Corps volunteer in the Gambia. All women of the church are invited to attend.



*\*Please accept our apologies if your birth date or anniversary date is omitted. We have found that when the database system was changed several years ago, all information had to be re-entered manually and many dates were either missed or omitted. We will be glad to correct this, but we need to be made aware (politely, please) of the oversight. Also, please be aware that we are missing **many** birth dates. Thank you for your patience.*

# HOT CROSS BUNS

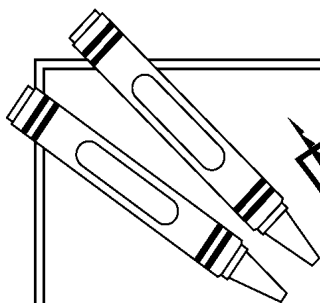
Make this traditional Easter recipe to remember how Christ gave his life for you.

**What you need:**

- 1 can (12 oz.) evaporated milk
- 1 stick (½ cup) butter, melted
- ½ cup sugar
- Pinch of salt
- 1½ Tablespoons yeast
- 1 egg, beaten
- ½ teaspoon cinnamon
- ½ teaspoon nutmeg
- 5 cups flour
- Icing
- An adult to help

**What you do:**

1. In large bowl, combine the first eight ingredients.
2. Stir in flour, one cup at a time, to form soft dough. Knead on a floured surface until smooth and elastic (about five minutes).
3. Place in a greased bowl, turning once to grease top. Cover and let rise until doubled (about one hour).
4. Knead out air bubbles. Form six two-inch balls.
5. Place two inches apart on a greased cookie sheet. Cover and let rise until doubled (about 30 minutes).
6. Bake at 375 degrees until golden (13 to 15 minutes). Cool on wire racks.
7. Add icing in a cross shape. Enjoy!

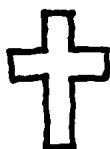


# PUZZLE

## FIX YOUR EYES ON JESUS

Remembering Jesus' life, death and resurrection helps us live with gratitude every day.

Use the picture and number code to fill in the blanks for Hebrews 12:2-3, NIV.



- |               |             |
|---------------|-------------|
| 1. Jesus      | 5. cross    |
| 2. weary      | 6. endured  |
| 3. endured    | 7. scorning |
| 4. opposition | 8. shame    |



- |            |              |
|------------|--------------|
| 1. Jesus   | 5. perfecter |
| 2. lose    | 6. him       |
| 3. pioneer | 7. faith     |
| 4. sinners | 8. hand      |



- |          |           |
|----------|-----------|
| 1. eyes  | 5. right  |
| 2. us    | 6. grow   |
| 3. joy   | 7. God    |
| 4. heart | 8. throne |

“... fixing our \_\_\_\_\_ on \_\_\_\_\_, the \_\_\_\_\_ and  
 \_\_\_\_\_ of \_\_\_\_\_. For the \_\_\_\_\_ set before \_\_\_\_\_  
 he \_\_\_\_\_ the \_\_\_\_\_, \_\_\_\_\_ its \_\_\_\_\_, and  
 sat down at the \_\_\_\_\_ of the \_\_\_\_\_ of \_\_\_\_\_.  
 Consider \_\_\_\_\_ who \_\_\_\_\_ such \_\_\_\_\_  
 from \_\_\_\_\_, so that you will not \_\_\_\_\_  
 and \_\_\_\_\_.” HEBREWS 12:2-3, NIV

Answer: “...fixing our eyes on Jesus, the pioneer and perfecter of faith. For the joy set before him he endured the cross, scorning its shame, and sat down at the right hand of the throne of God. Consider him who endured such opposition from sinners, so that you will not grow weary and lose heart.” Hebrews 12:2-3, NIV



**FAITH LUTHERAN CHURCH  
Congregational Council Meeting  
February 21, 2011**

*[Minutes approved as presented, March 21, 2011]*

**Present:** Jack Armstrong, Nancy Bolio, Jim Carrick, Bert Kinnear, Sandy Lawson, Pastor Levine, John McDonald, Jeanie Richards, Steve Sanderson, Bill Skidmore

**Absent:** Will Kocsovsky, Lori Strickland, Bob Mattson

Meeting called to order @ 7:00p by President Armstrong

Devotions were led by Pastor Levine.

**Minutes of the January 17, 2011, Council Meeting:** Motion by Steve Sanderson to accept the minutes with corrections. 2<sup>nd</sup> by Bert Kinnear. Minutes accepted with corrections.

**Pastor's Report** – Pastor's written report was received. There were no additional questions regarding his report. Motion by Bill Skidmore to accept Pastor's report. 2<sup>nd</sup> by Sandy Lawson. Report accepted.

**Committee reports:**

**Christian Education** – No recent meeting.

**Finance** – Written report presented. All outstanding bills are paid to date. Motion by Jim Carrick to accept the Treasurer's report. 2<sup>nd</sup> by Nancy Bolio. Report accepted.

**Membership** – No report.

**Memorial** – No report.

**Outreach** – At a recent meeting, it was decided to keep the Lenten project local by emphasizing the 5 local food pantries and food centers. Each week's food collection will go to one of the 'centers.' Outreach would like to honor the various church groups from time to time. It was suggested that perhaps a specific group could be honored each month.

**Property** – A new kitchen heater blower motor & thermostat have been installed. The "rear-most" Ethernet connection has been relocated. Our insurance policy was reviewed. The deductible will be raised to \$1,000, and our liability coverage will be increased, resulting in no additional cost. The policy comes due in April.

**Staff support** – No report.

**Stewardship** – No report.

**WELCA** – A new budget committee has been formed. May 14, will be the rummage sale from 9:00a to 1:00p. The bazaar will be October 8. The next meeting will be March 2, 2011.

**Worship and Music** – Met on January 20. New hymns were selected.

**Youth** – No report.

**Endowment Fund** - \$3,846 will be distributed this year. The money will be distributed 4 ways: \$961.50, to Confirmation/campers, with any excess to local mission. \$961.50 to the general fund. \$961.50 to the Synod Seminary fund. \$961.50 to world hunger, NGLS. Motion by John McDonald to distribute the funds as described. 2<sup>nd</sup> by Steve Sanderson. Motion approved.

**Old Business** – Bill Skidmore & Bert Kinnear will be the counters for March.

**New Business** – March 6, 2011 is the new date for the Annual Meeting of the Congregation. Other items of new business: (1) Revising the counting sheet. (2) Revising the Memorial tally sheet. (3) Membership list, including deriving an active list from the contribution reports and the Communion sheets. (4) Revising the Constitution. (5) The annual audit.

**Requests** – Tai Chi EUP, to use our facility on Thursday mornings – OK. Request by member Lawson to use the Fellowship Hall on September 16 – OK. Received a request from Sault High for financial support for the graduation party – No action.

**Timeline** – Ongoing.

**Open Discussion** – Thank you to those departing Council Members who have served us.

See MINUTES on page 6

**MINUTES (con't from p. 5)**

**Next meetings:** March 21, 2011. April 18, 2011, May 16, 2011.

**Motion to adjourn** made by Sandy Lawson. 2<sup>nd</sup> by Jeanie Richards. Meeting adjourned @ 8:20p.

Respectfully submitted  
Jim Carrick, Council Secretary



Beginning on Ash Wednesday and continuing on the remaining Wednesdays during Lent a new series called "The Miracles of Lent" will be presented. The message on these Wednesdays will be different from the Sunday worship so plan on attending both worship services. We will start in the fellowship hall with a meal and proceed into the sanctuary to learn about a different miracle each week. Come to worship and receive a daily devotion guide for the forty days of Lent and beyond.



Adult Bible Study meets on Thursday at 1:30 p.m., weather permitting. New faces are always welcomed!

Worship Opportunities during Lent:

Wednesday Soup & Sandwich meal: 5:30 p.m.  
(No meal Wed., April 20)  
Wednesday Lenten worship: 6:15 p.m.  
Palm Sunday worship: April 17, 10 a.m.  
Maundy Thursday worship: April 21, 7 p.m.  
Community Good Friday worship: April 22, 1 p.m.  
1st United Presbyterian Church  
Traditional Good Friday worship: April 22, 7 p.m.  
Easter Sunday worship: April 24, 10 a.m.

**Faith Lutheran Church  
Special Congregational Council Meeting  
March 6, 2011**

*[Minutes approved as presented, March 21, 2011]*

Meeting Called to order by Treasurer, Steve Sanderson @ 12:00p.

**Present:** Louise Armstrong, Nancy Bolio, Jim Carrick, Pat Keller, Sandy Lawson, Pastor Levine, Bob Mattson, John McDonald, Steve Sanderson, Bill Skidmore, Lori Strickland, Jack Armstrong (ex-officio).

**Absent:** Bert Kinnear, Joy Lake.

**Motion to seat newly elected members on Council:** Louise Armstrong, Pat Keller, Joy Lake, and Steve Sanderson (re-elected), made by Lori Strickland. 2<sup>nd</sup> by Sandy Lawson. Motion approved.

**New Officers:** Moved by Louise Armstrong to appoint Lori Strickland as Council President. 2<sup>nd</sup> by Nancy Bolio. Motion approved. Moved to appoint John McDonald as Council Vice-President by Steve Sanderson. 2<sup>nd</sup> by Bill Skidmore. Motion approved. Moved by Sandy Lawson that Steve Sanderson remain as Treasurer, and Jim Carrick remain as Secretary. 2<sup>nd</sup> by Pat Keller. Motion approved.

**Faith Lutheran Church Congregational Council Officers for 2011:**

Lori Strickland, President  
John McDonald, Vice-President  
Steve Sanderson, Treasurer  
James Carrick, Secretary

**Motion to adjourn** made by Steve Sanderson. 2<sup>nd</sup> by Pat Keller  
Meeting adjourned @ 12:10p.

Respectfully Submitted,  
James Carrick, Council Secretary





# THE PATHFINDER

FAITH LUTHERAN CHURCH  
 1600 PARK STREET  
 SAULT STE. MARIE, MI 49783

Non-Profit  
 U.S. Postage Paid  
 Sault Ste. Marie, MI 49783  
 Permit No. 254

<b>Apr. 2011</b>	<b>3</b>	<b>10</b>	<b>17</b>	<b>24</b>
<b>ASSISTING LECTORS</b>	Bruce Anderson	Bobbie Levine	Ben Deatrack	Dennis Brindley
<b>CHOIR DIRECTOR</b>	Ruth Ann Brindley	RuthAnn Brindley	Ruth Ann Brindley	Ruth Ann Brindley
<b>ORGANIST</b>	Pat Deatrack	Ryan LaRue	Pat Deatrack	Pat Deatrack
<b>ALTAR WORKERS</b> <b>Jeanie Richards</b> <b>Leader(635-1653)</b>	Jeanie Richards Nancy Bolio Volunteers needed	Jeanie Richards Nancy Bolio Volunteers needed	Jeanie Richards Nancy Bolio Volunteers needed	Jeanie Richards Nancy Bolio Volunteers needed
<b>USHERS</b> <b>Jim Carrick</b> <b>(captain)</b>	Jim Carrick Darren Keller Ken Lake	Jim Carrick Darren Keller Ken Lake	Jim Carrick Darren Keller Ken Lake	Jim Carrick Darren Keller Ken Lake
<b>OFFERING</b>	Bert Kinnear Bill Skidmore	Bert Kinnear Bill Skidmore	Bert Kinnear Bill Skidmore	Bert Kinnear Bill Skidmore
<b>ACOLYTES</b>				
<b>NURSERY WORKERS</b>	Volunteers Needed	Volunteers Needed	Volunteers Needed	Volunteers Needed